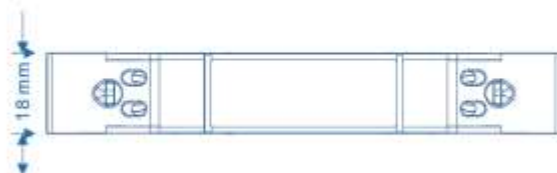
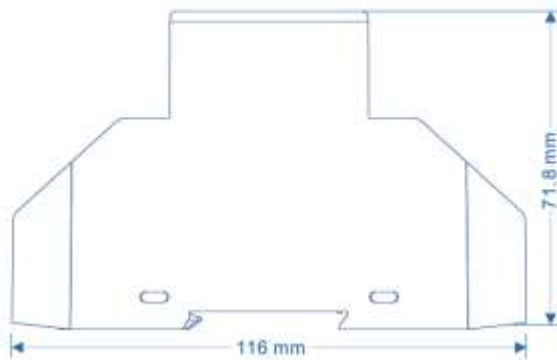


## DIN-rail Meter Case Replacement

### Single-Phase 1072500710 Series



**Dimension:** 116\*18\*71.8mm

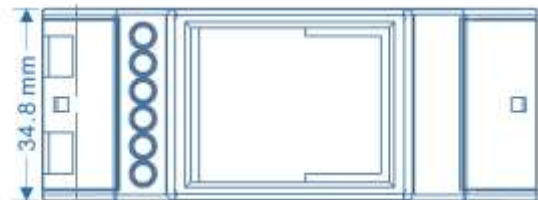
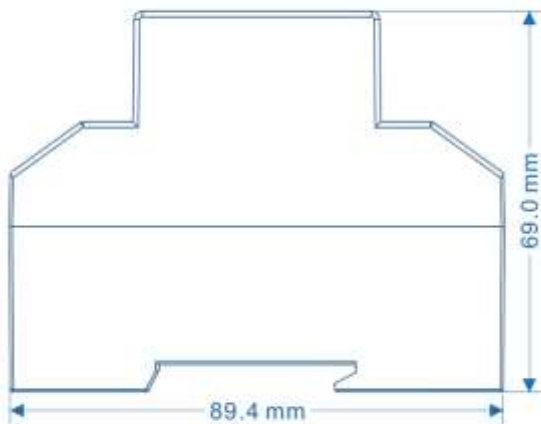
**Current:** 5~100A

**Case Material:** PC+10%GF

**Configuration Mode:**

**1072500711:** Case, Shunt, Cage Terminal, Screw, Auxiliary Terminal

## Single-Phase 1072500720 Series



**Dimension:** 89.4\*34.8\*69mm

**Current:** 5~80A

**Case Material:** PC+10%GF

**Configuration Mode:**

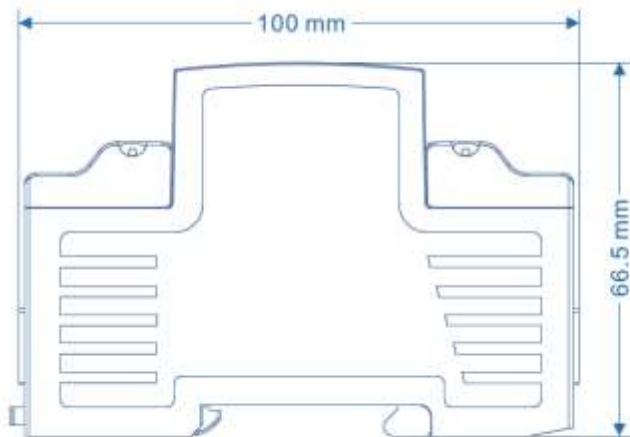
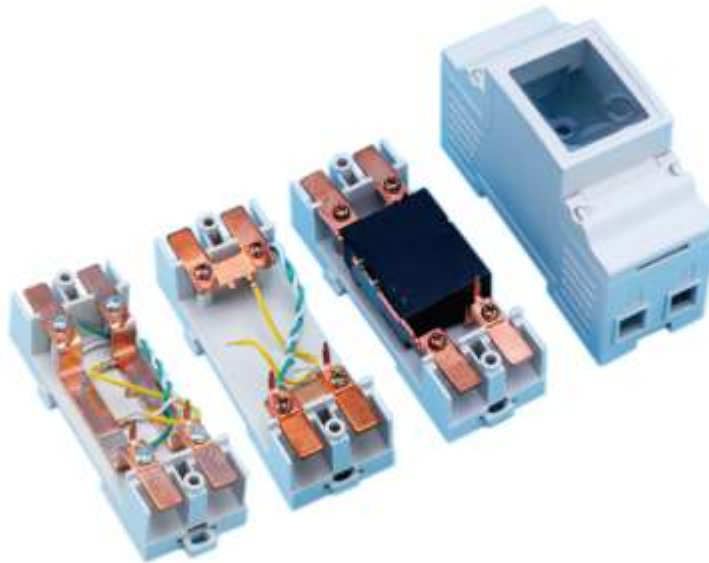
1072500721: Up-down Structure: Case, Shunt, Neutral, Cage Terminal, Screw, Auxiliary Terminal

1072500722: Up-down Structure: Case, Relay, Neutral, Cage Terminal, Screw, Auxiliary Terminal

1072500723: One-side Structure: Case, Shunt, Neutral, Cage Terminal, Screw, Auxiliary Terminal

1072500724: One-side Structure: Case, Relay, Neutral, Cage Terminal, Screw, Auxiliary Terminal

## Single-Phase 1072500730 Series



**Dimension:** 100\*36\*66.5mm

**Current:** 5~80A

**Case Material:** PC+10%GF

**Configuration Mode:**

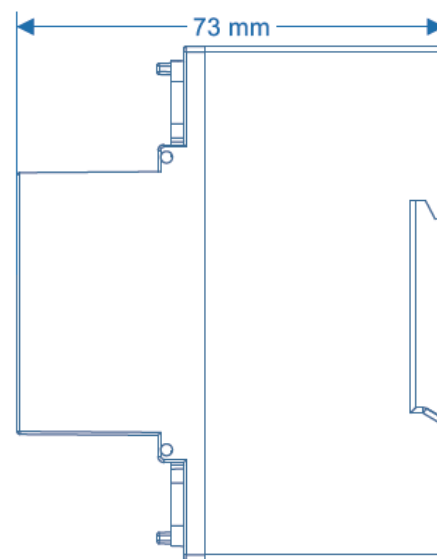
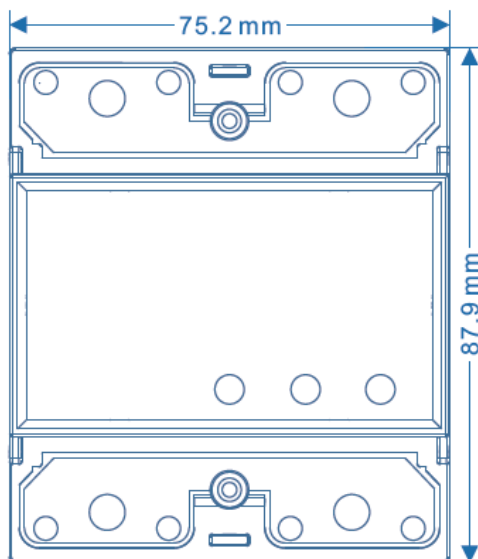
1072500731: Up-down Structure: Case, Shunt, Neutral, Cage Terminal, Screw, Auxiliary Terminal

1072500732: Up-down Structure: Case, Relay, Neutral, Cage Terminal, Screw, Auxiliary Terminal

1072500733: One-side Structure: Case, Shunt, Neutral, Cage Terminal, Screw, Auxiliary Terminal

1072500734: One-side Structure: Case, Relay, Neutral, Cage Terminal, Screw, Auxiliary Terminal

## Single-Phase 1072500740 Series



**Dimension:** 87.9\*75.2\*73mm

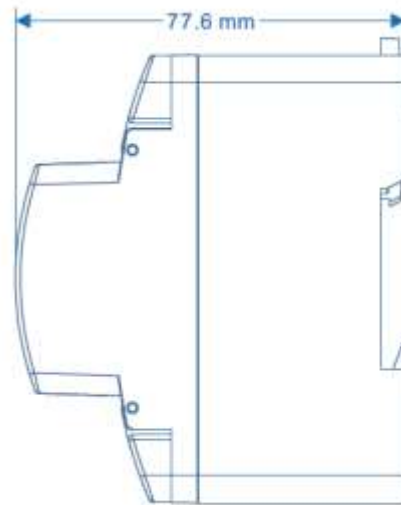
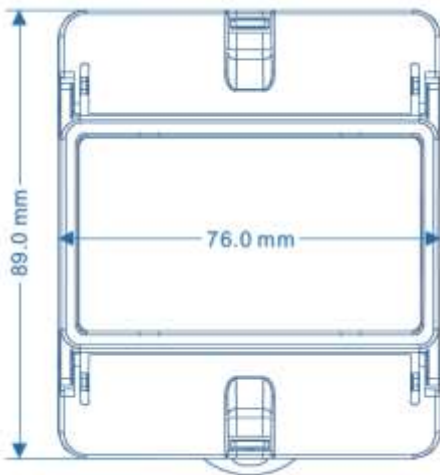
**Current:** 5~80A

**Case Material:** PC+10%GF

**Configuration Mode:**

**1072500741:** Case, Shunt, Neutral, Cage Terminal, Screw, Auxiliary Terminal

## Single-Phase 1072500750 Series



**Dimension:** 89\*76\*77.6mm

**Current:** 5~100A

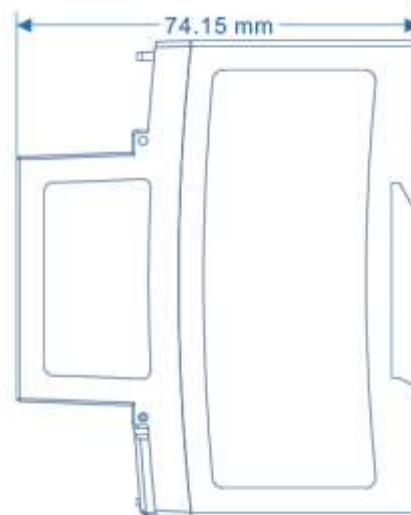
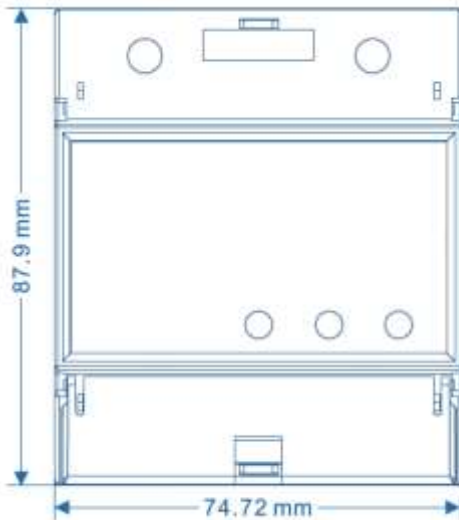
**Case Material:** PC+10%GF

**Configuration Mode:**

1072500751: Case, Shunt, Neutral, Cage Terminal, Screw, Auxiliary Terminal

1072500752: Case, Relay, Neutral, Cage Terminal, Screw, Auxiliary Terminal

## Single-Phase 1072500760 Series



**Dimension:** 87.9\*74.7\*74.15mm

**Current:** 5~100A

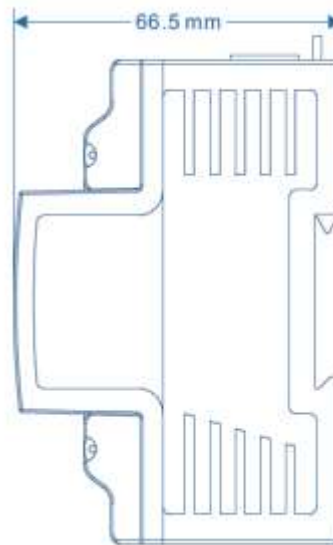
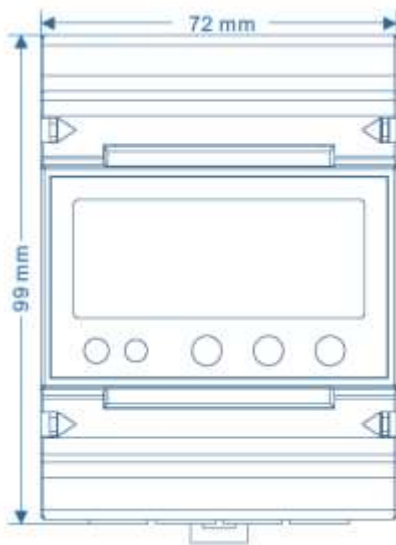
**Case Material:** PC+10%GF

**Configuration Mode:**

1072500761: Case, Shunt, Neutral, Cage Terminal, Screw, Auxiliary Terminal

1072500762: Case, Relay, Neutral, Cage Terminal, Screw, Auxiliary Terminal

## Single-Phase 1072500770 Series



**Dimension:** 99\*72\*66.5mm

**Current:** 5~80A

**Case Material:** PC+10%GF

**Configuration Mode:**

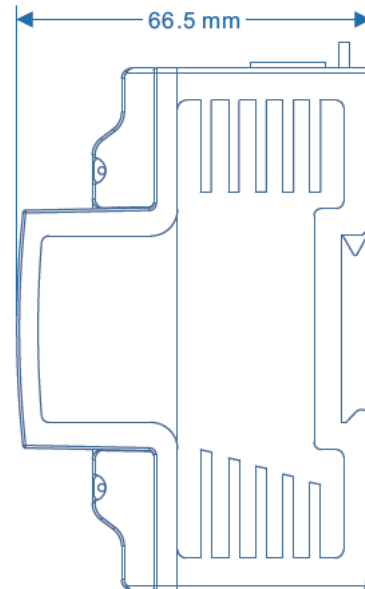
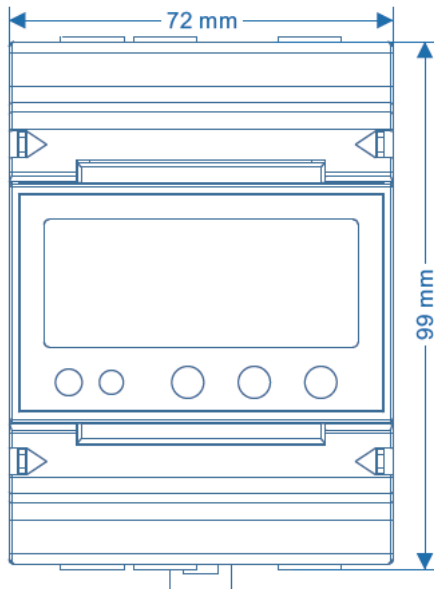
1072500771: Case, Shunt, Neutral, Cage Terminal, Screw, Auxiliary Terminal

1072500772: Case, Shunt, Neutral, Cage Terminal, Screw, Auxiliary Terminal

1072500773: Case, Relay, Neutral, Cage Terminal, Screw, Auxiliary Terminal

1072500774: Case, Relay, Neutral, Cage Terminal, Screw, Auxiliary Terminal

## Single-Phase 1072500780 Series



**Dimension:** 99\*72\*66.5mm

**Current:** 5~80A

**Case Material:** PC+10%GF

**Configuration Mode:**

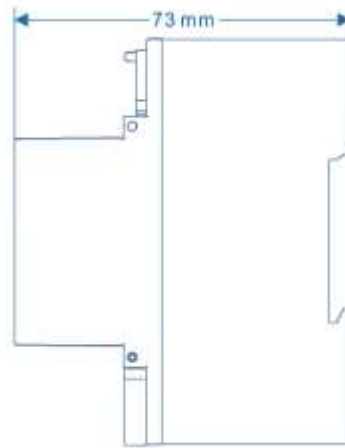
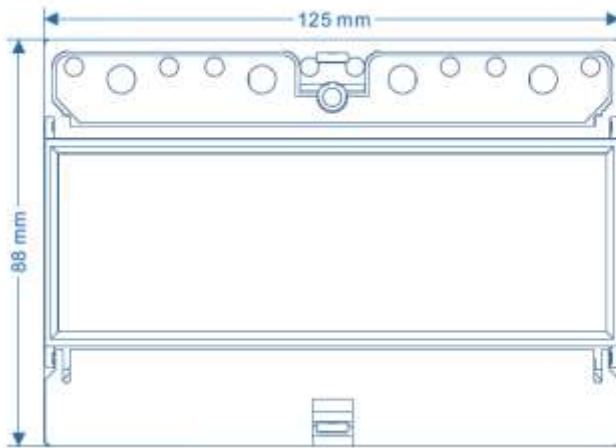
1072500781: Case, Shunt, Neutral, Cage Terminal, Screw, Auxiliary Terminal

1072500782: Case, Relay, Neutral, Cage Terminal, Screw, Auxiliary Terminal

1072500783: Case, Two Relay, Neutral, Cage Terminal, Screw, Auxiliary Terminal



## Three-Phases 1072500790 Series



**Dimension:** 88\*124.9\*73mm

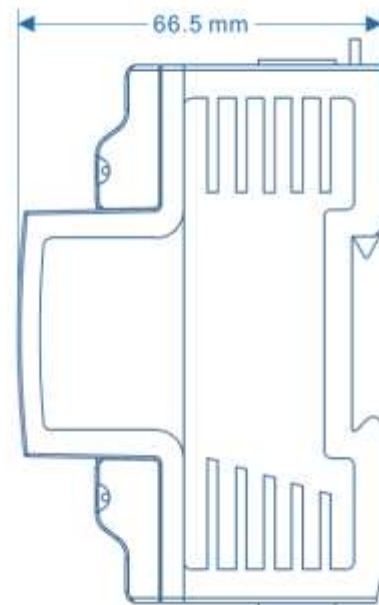
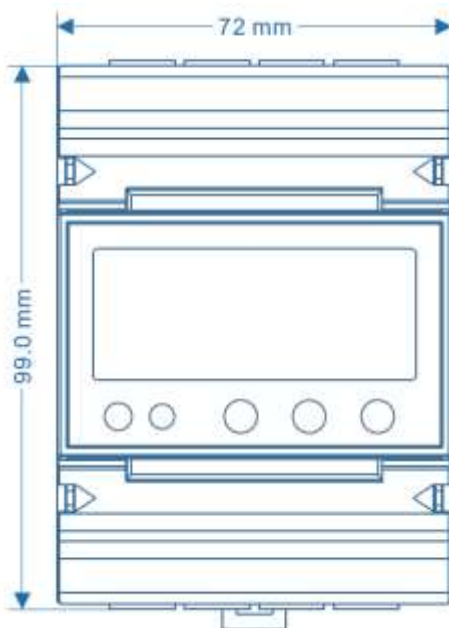
**Current:** 5~100A

**Case Material:** PC+10%GF

**Configuration Mode:**

1072500791: Case, CT\*3, Phase Wire\*3, Neutral, Cage Terminal, Screw, Auxiliary Terminal

## Three-Phases 1072500800 Series



**Dimension:** 99\*72\*66.5mm

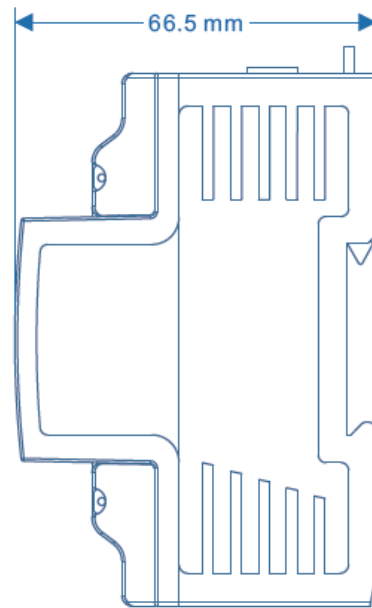
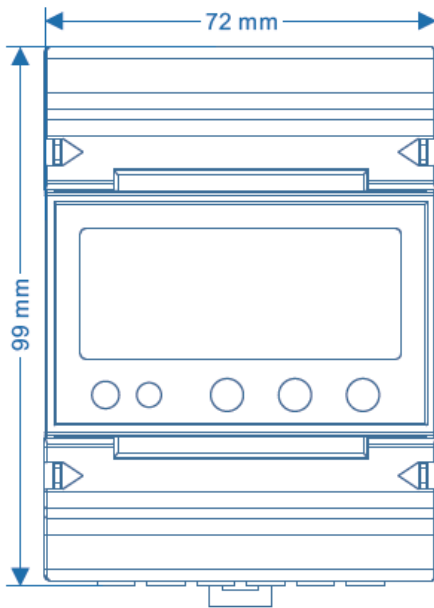
**Current:** 1.5~6A

**Case Material:** PC+10%GF

**Configuration Mode:**

1072500801: Case, CT\*3, Phase Wire\*3, Neutral, Cage Terminal, Screw, Auxiliary Terminal

## Three-Phases 1072500810 Series



**Dimension:** 99\*72\*66.5mm

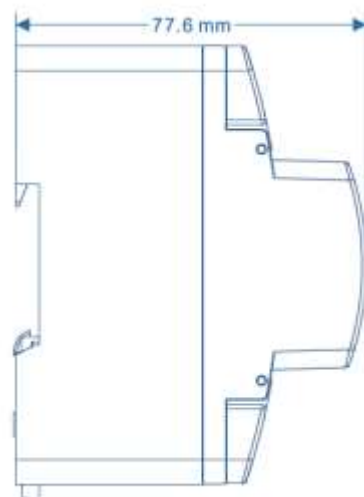
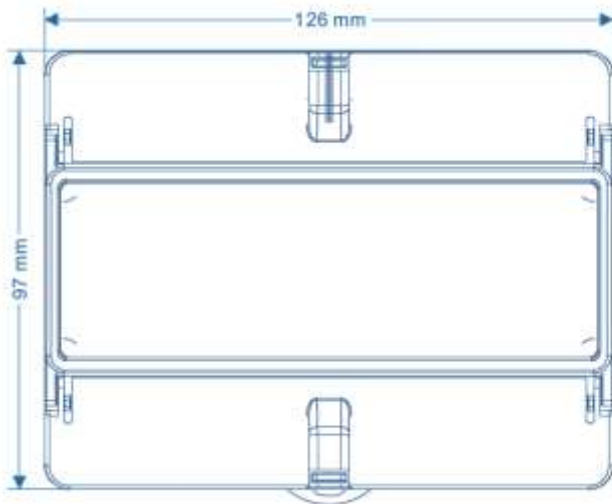
**Current:** 1.5~6A

**Case Material:** PC+10%GF

**Configuration Mode:**

1072500811: Case,PCB+CT, Cage Terminal, Screw, Auxiliary Terminal

## Three-Phases 1072500820 Series



**Dimension:** 97\*126\*77.6mm

**Current:** 50~80A

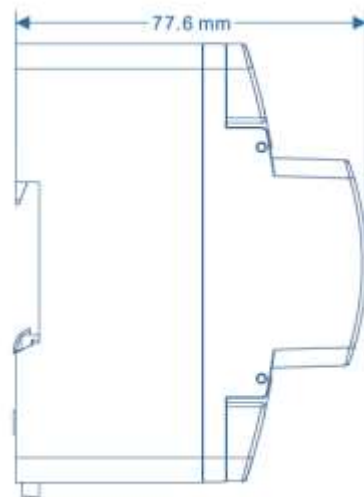
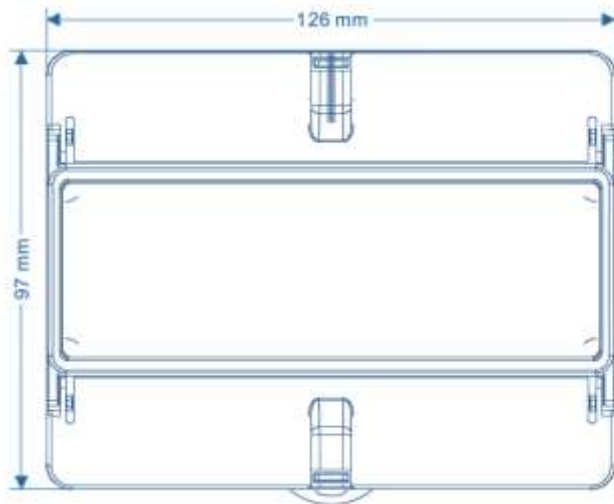
**Material:** Case PC+10%GF, Terminal Block PBT+30%GF

**Configuration Mode:**

1072500821: Case, CT\*3, Phase Wire\*3, Neutral, Cage Terminal, Screw, Auxiliary Terminal

1072500822: Case, CT\*3, Relay, Phase Wire\*3, Neutral, Cage Terminal, Screw, Auxiliary Terminal

## Three-Phases 1072500830 Series



**Dimension:** 97\*126\*77.6mm

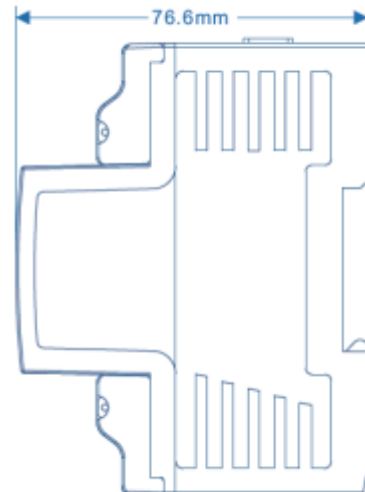
**Current:** 1.5~6A

**Material:** Case PC+10%GF, Terminal Block PBT+30%GF

**Configuration Mode:**

1072500831: Case, CT\*3, Phase Wire\*3, Neutral, Cage Terminal, Screw, Auxiliary Terminal

## Three-Phases 1072500840 Series



**Dimension:** 98\*126\*76.6mm

**Current:** 5~80A

**Material:** Case PC+10%GF, Terminal Block PBT+30%GF

**Configuration Mode:**

1072500841: Case, CT\*3, Phase Wire\*3, Neutral,Cage Terminal, Screw, Auxiliary Terminal

1072500842: Case, CT\*3, Phase Wire\*3, Neutral,Cage Terminal, Screw, Auxiliary Terminal

1072500843: Case, CT\*3, Relay,Phase Wire\*3, Neutral,Cage Terminal, Screw, Auxiliary Terminal